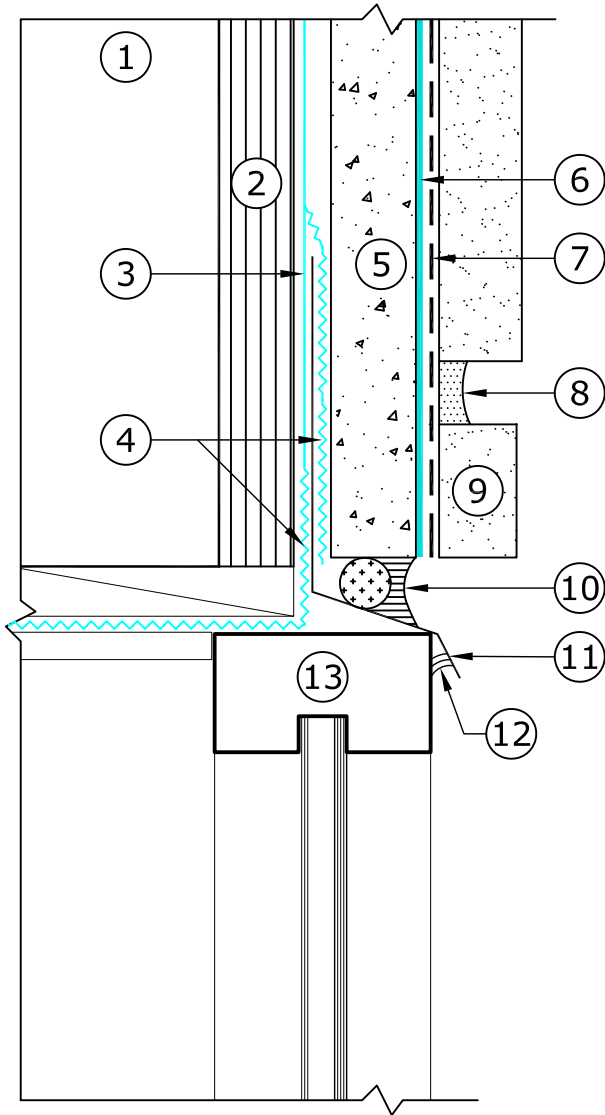


KEY NOTES

- ① FRAMING (WOOD OR STEEL)
- ② SHEATHING
- ③ PAREX USA WATER RESISTIVE BARRIER, (SEE NOTE1)
- ④ PAREX USA SHEATHING JOINT TAPE OVERLAPPED AND EMBEDDED IN PAREX USA WATER RESISTIVE BARRIER
- ⑤ 1/2" MINIMUM CEMENT BOARD
- ⑥ PAREX USA WEATHERBLOCK SP1, (SEE NOTE 2)
- ⑦ PAREX USA MASONRY VENEER ADHESIVE
- ⑧ GROUT
- ⑨ MASONRY VENEER, (SEE NOTE 3)
- ⑩ BACKER ROD & ELASTOMERIC SEALANT W/ WEEP HOLES SPACED @ 16" O.C. (BY OTHERS)
- ⑪ NON CORROSIVE METAL HEAD FLASHING WITH DRIP EDGE (BY OTHERS)
- ⑫ ELASTOMERIC SEALANT (BY OTHERS)
- ⑬ WINDOW HEAD JAMB



MVS-CEMENT BOARD- W1.01 TERMINATION AT WINDOW HEAD

MASONRY VENEER CEMENT BOARD SYSTEM

DATE: 01/01/17
SCALE: N.T.S.

NOTES:

- 1. PAREX USA Water-Resistant Barrier options: A. WeatherSeal Spray & Roll-On or WeatherSeal Trowel-On (vapor permeable).
- 2. WeatherBlock SP-1 Spray & Roll-On (vapor impermeable).
- 3. Follow code requirements for Adhered Veneer dimensions and weights.

Disclaimer : The design, specifications, and construction shall comply with all local building codes and standards. Parex USA installation guidelines are for general information and guidance only and Parex USA specifically disclaims any liability for the use of this design, and for design, engineering, or workmanship of any project. The assembly shall be designed to prevent condensation within the assembly. The designer and the user shall provide final drawings and specifications. Products shown other than those manufactured by Parex USA are shown for clarity of the Parex USA product only. Contact the manufacturer of such other products for installation instructions.