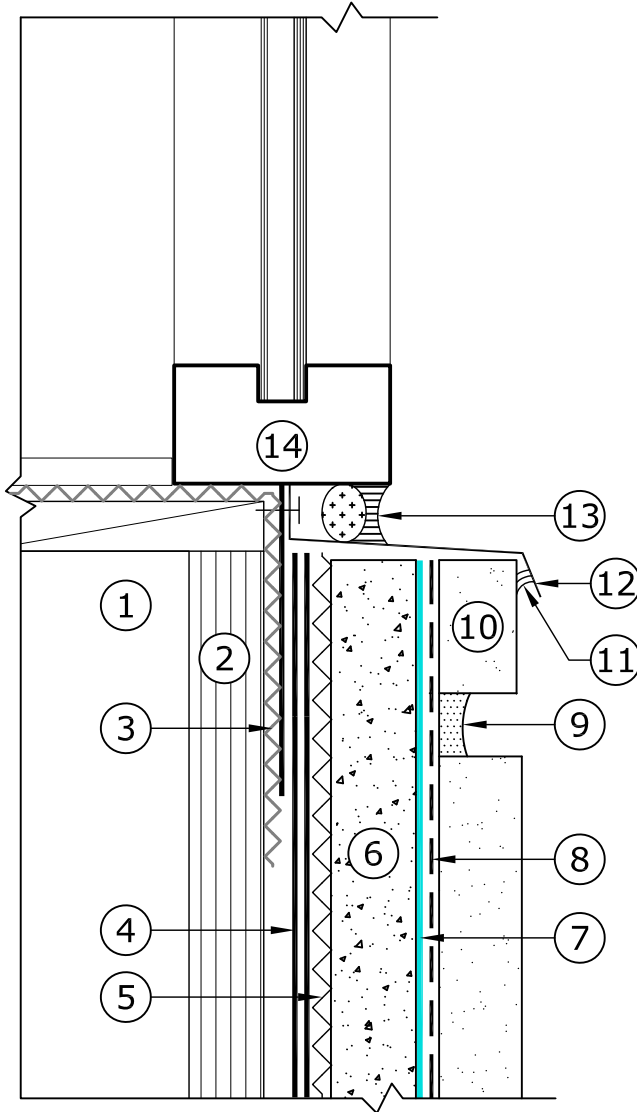


KEY NOTES

- ① FRAMING (WOOD OR STEEL)
- ② SHEATHING
- ③ PAREX USA SELF ADHERING FLASHING MEMBRANE (S.A.M.)
- ④ WATER-RESISTIVE BARRIER, 2 LAYERS ON WOOD-BASED SHEATHING, (SEE NOTE 1)
- ⑤ LATH PER ASTM C1063
- ⑥ PORTLAND CEMENT PLASTER BASECOAT CONFORMING TO ASTM C926 (SEE NOTE 3)
- ⑦ PAREX USA WEATHERBLOCK SP1, (SEE NOTE 2)
- ⑧ PAREX USA MASONRY VENEER ADHESIVE
- ⑨ GROUT
- ⑩ MASONRY VENEER, (SEE NOTE 4)
- ⑪ ELASTOMERIC SEALANT (BY OTHERS)
- ⑫ NON CORROSIVE METAL DRIP EDGE (BY OTHERS)
- ⑬ BACKER ROD & ELASTOMERIC SEALANT W/ WEEP HOLES SPACED @ 16" O.C. (BY OTHERS)
- ⑭ FLANGED WINDOW SILL



MVS- STANDARD - W1.02 TERMINATION AT FLANGED WINDOW SILL

MASONRY VENEER STANDARD SYSTEM

DATE: 01/01/17
SCALE: N.T.S.

NOTES:

- 1. Parex USA Water-Resistive Barrier options: A. WeatherSeal Spray & Roll-On, WeatherSeal Trowel-On, or approved equal.
- 2. WeatherBlock SP1 Spray & Roll-On (vapor impermeable). (OPTIONAL)
- 3. Portland cement plaster is installed per applicable building code.
- 4. Follow code requirements for adhered veneer dimensions and weights.

Disclaimer : The design, specifications, and construction shall comply with all local building codes and standards. Parex USA installation guidelines are for general information and guidance only and Parex USA specifically disclaims any liability for the use of this design, and for design, engineering, or workmanship of any project. The assembly shall be designed to prevent condensation within the assembly. The designer and the user shall provide final drawings and specifications. Products shown other than those manufactured by Parex USA are shown for clarity of the Parex USA product only. Contact the manufacturer of such other products for installation instructions.